

temperature measurement

resistance thermometer WTR 270

features

- resistance thermometer as infeed sensor for fish- and meatproducts industry
- length of cable, length of sensor and construction of cable selectable
- rugged construction
- flat protective fitting without process connection with infeed point

technical specifications

- protective fitting of V4A 1.4571
- protection class IP69K
- diameter of sensor 3 mm or 5 mm
- length of sensor selectable
- temperature range -50 °C to +200 °C (extended ranges on request)

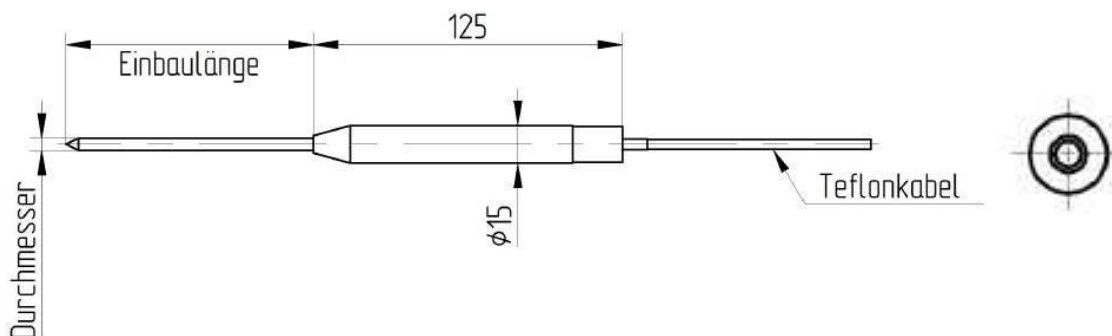


WTR 270...

product benefits

- For recording core temperatures
 - When receiving goods in the food sector
 - For defrosting processes
 - For cooking and maturing processes
 - and much more

technical drawing



temperature measurement

order-code WTR 270...

order example: WTR 270-A1-02-A-200-3-1A3

type of grip

- A1 teflon grip
- B1 stainless steel grip
- B2 stainless steel grip with buckling protection spring (heavy duty)

length of cable

- XX specify length of cable (e. g. 02 = 2 m)

material of cable

- A teflon wire
- B silicon wire

length of sensor (specification without grip)

- XXX specify length of sensor (e. g. 200 = 200mm length of sensor without grip)

diameter of sensor (protective fitting)

- 3 diameter of sensor 3mm
- 5 diameter of sensor 5mm

type of sensor and tolerance

- 1A2 1xPT100 2-wire class A
- 1A3 1xPT100 3-wire class A
- 1A4 1xPT100 4-wire class A
- 2A2 2xPT100 2-wire class A
- 2A3 2xPT100 3-wire class A
- KX type of sensor and tolerance on request