

## temperature measurement

### resistance thermometer WTR 360

#### features

- modular resistance thermometer for food industry
- adaptable with welding sleeves M12 (see accessories)
- connection head made of stainless steel
- available with tapered measuring point
- protective fitting pressed closed to connection head
- temperature resistance PT100 directly constructed in protective fitting
- electrical connection on board (clamps)  
or programmable measuring transducer
- specials on request

#### technical specifications

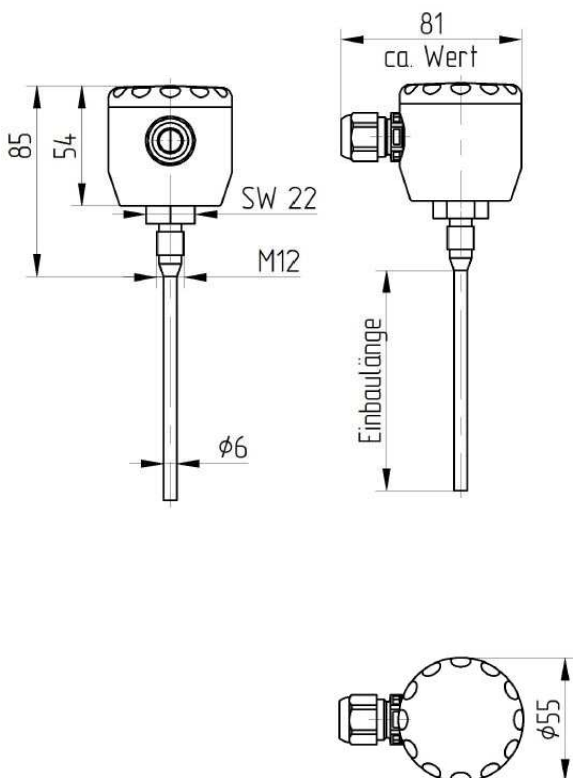
- protective fitting made of stainless steel V4A 1.4571
- diameter 6 mm
- connection thread for sleeve socket and process connection threads M12"
- temperature ranges: -50 °C to +200 °C  
(extended ranges on customer's request)

#### product benefits

The WTR 360 is a temperature sensor for the food industry. The sensor has a metallic sealing cone below the connection thread, which is aseptically adapted with our welding sleeves (ZEM 050 or KEM 050). Due to the M12 socket system it is especially suitable for pipelines with small diameters. The sensor uses only high-quality materials and is therefore characterized by its high durability.

#### technical drawing

##### stainless steel head



WTR 360-5-B-1A-VO

## temperature measurement

order-code WTR 360...

order example: WTR 360-5-A-1A-V4-KMU (0-100 °C)

### connection heads

- 5 stainless steel head standard with screw cap, with screwing, protection class IP69K
- 6 stainless steel head standard with screw cap, with M12-plug, protection class IP69K

### mounting length

- Y 20 mm mounting length
- A 50 mm mounting length
- B 100 mm mounting length
- C 150 mm mounting length
- D 200 mm mounting length
- E 250 mm mounting length
- F 300 mm mounting length
- G 350 mm mounting length
- H 400 mm mounting length
- K mounting length on customer's request (please specify length)

### type of sensor and tolerance

- 1A 1xPT100 class A
- 2A 2xPT100 class A
- 1C 1xPT100 1/3 DIN
- 2C 2xPT100 1/3 DIN
- KX types of sensor and tolerance on customer's request

### tapered measuring point

- VO without taper
- V3 tapered to 3 mm
- V4 tapered to 4 mm

### optional

- KMU with programmable measuring transducer (temperature range on request on preadjustment please specify)

### accessories

#### welding sleeves

- 99-000802 KEM 050, welding sleeve, ball, for M12 x 1.5mm sealing system, diameter 25mm, hygienic process adaptation
- 99-000643 ZEM 051, welding sleeve, cylinder, for M12 x 1.5mm sealing system, with weld collar, diameter 19mm, hygienic process adaptation

#### M12-connection wires

- 101090 connection cable M12 angled, 4-pole, 5m PVC cable, grey
- 101087 connection cable M12 straight, 4-pole, 5m PVC cable, grey

**Other lengths available on request.**

**For more accessories, see accessories data sheet.**